

REPLACEMENT FIG. 1

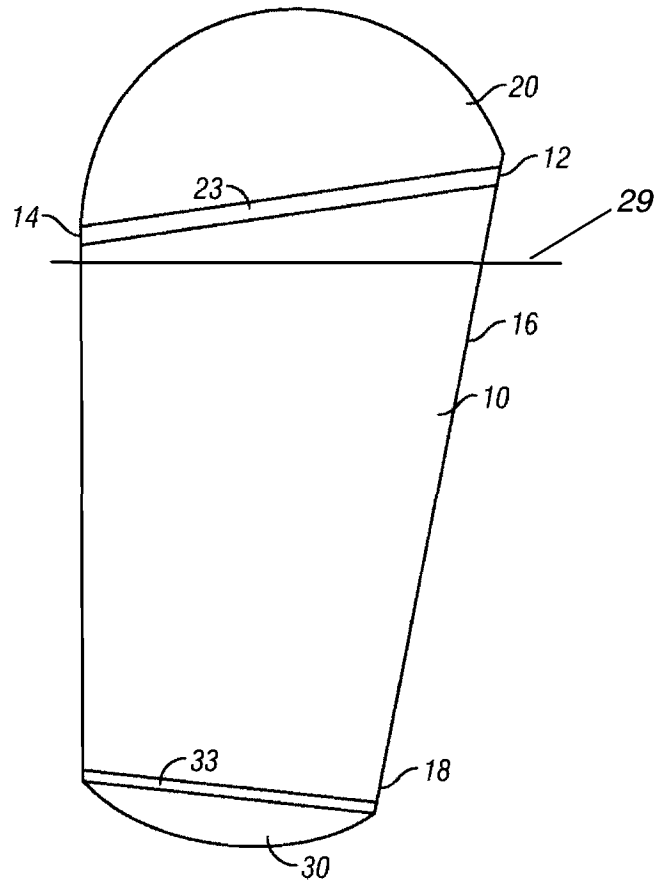


Fig. 1